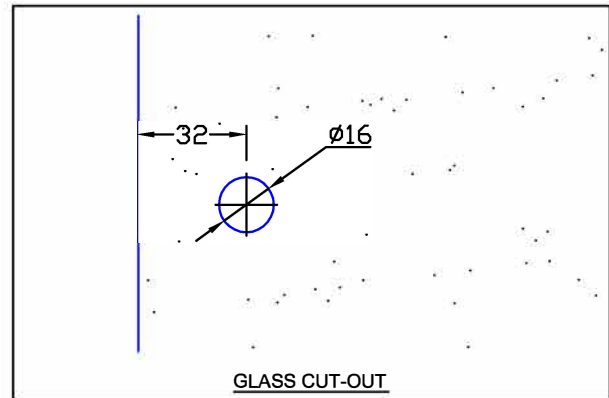
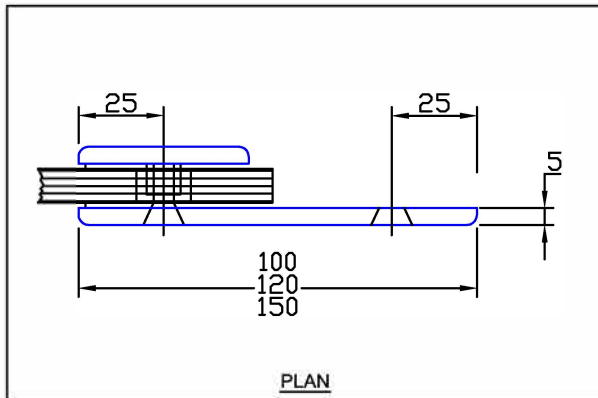
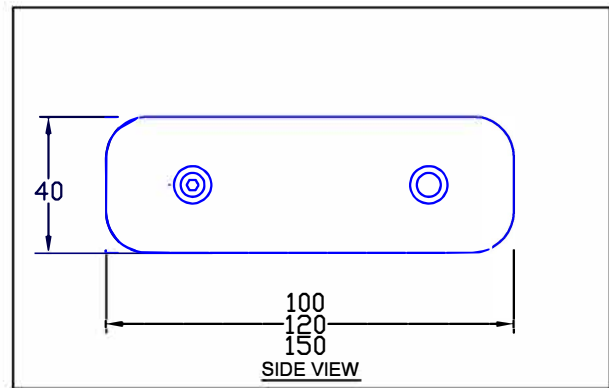
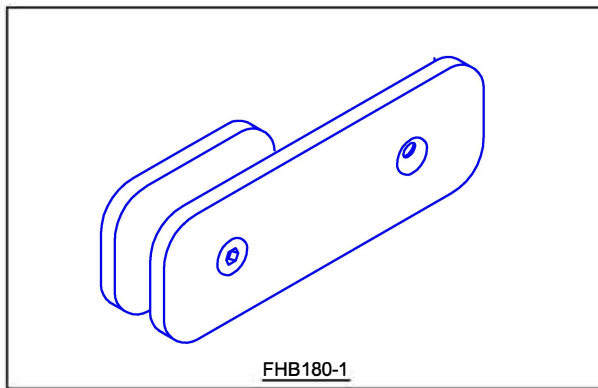
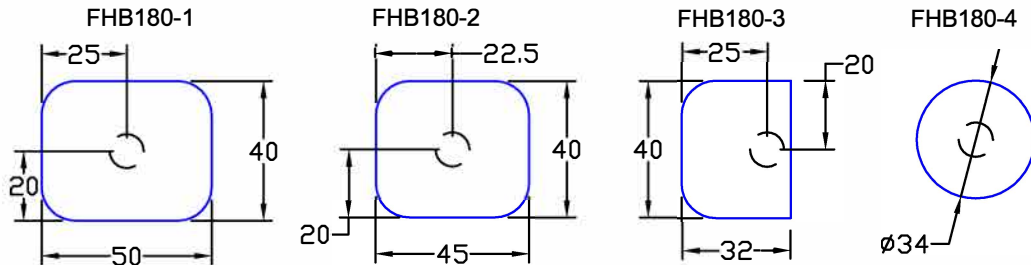


## Opus Manufacturing Technical Page

### FHB180-1, FHB180-2 & FHB180-3



FHB180 Bracket/Clamp Hob to Glass. Manufactured in solid brass designed to secure 180 degree hob to glass shower enclosure panels.

Overall lengths: FHB180-1 has an overall length of 120mm  
 : FHB180-2 has an overall length of 150mm  
 : FHB180-3 has an overall length of 100mm

Standard Finishes: Chrome, Satin Chrome, Gold.