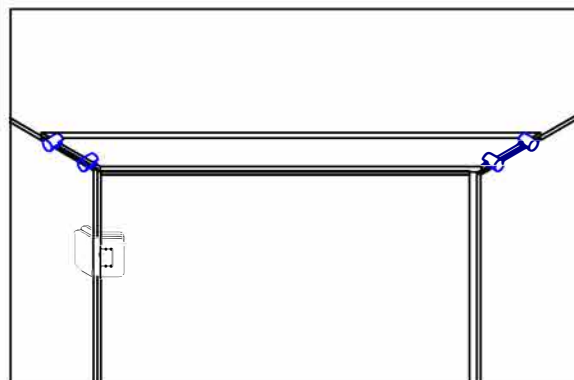
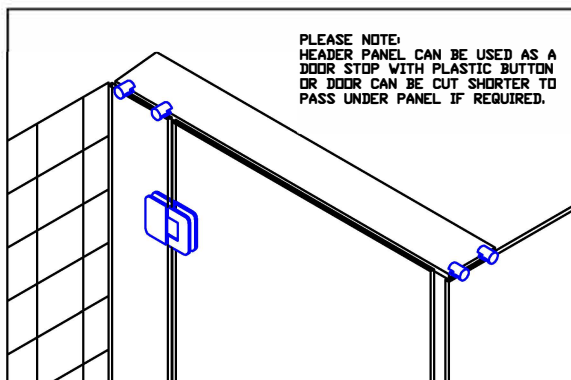
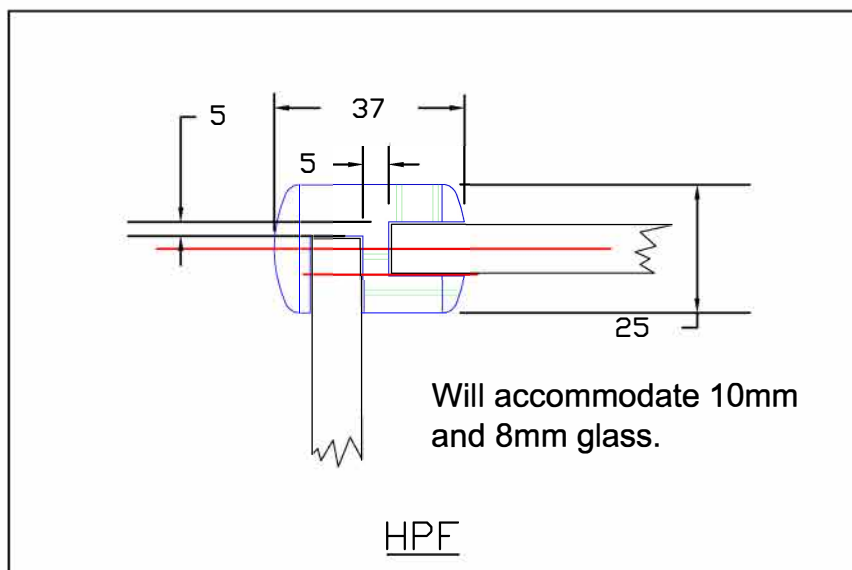


Opus Manufacturing Technical Page

HPF - Header over panel fitting



Designed for a frameless glass header panels.

Made to accommodate 10mm glass but will fit 8mm glass

Standard Finishes: Bright Chrome, Satin Chrome, Powdercoat or Gold

Call: 1300 139 706 T: (03) 9775 1223 F: (03) 9775 1445 E: danmac1@bigpond.net.au
HEAD OFFICE: 99 Frankston Gardens Drive, Carrum Downs Vic 3201 Australia