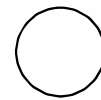
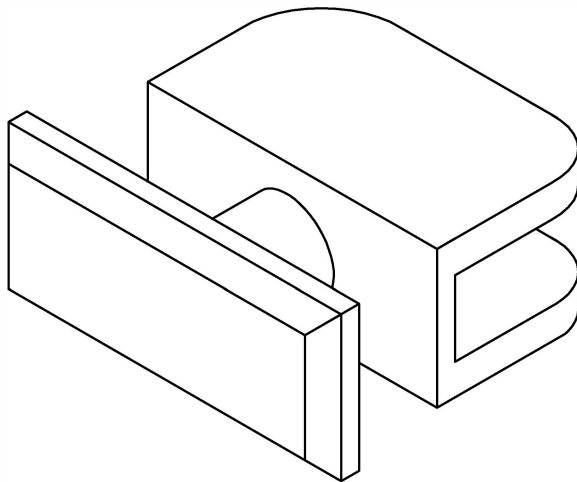




Opus Manufacturing Technical Page

SB-06BP to SB-12BP



GLASS CUT-OUT IS A SINGLE
16MM DIAMETER HOLE WHERE
REQUIRED

SB-06BP to SB-12BP Shelf support or Bracket/Clamp.
Manufactured in solid brass, designed to secure glass to glass panels.

Technical information for the SB-06 to SB-12 bracket component is the same as the standard technical pages for these items. The backplate that attaches the bracket to the glass is a solid forged brass plate 46mm x 20mm x 5mm that is fastened through the back of the bracket to the backing plate by way of a 5mm csk stainless steel screw which is not visible following installation.

SB-06BP Glass 6mm
SB-08BP Glass 8mm
SB-10BP Glass 10mm
SB-12BP Glass 12mm

Standard Finishes: Chrome, Satin Chrome, Gold.