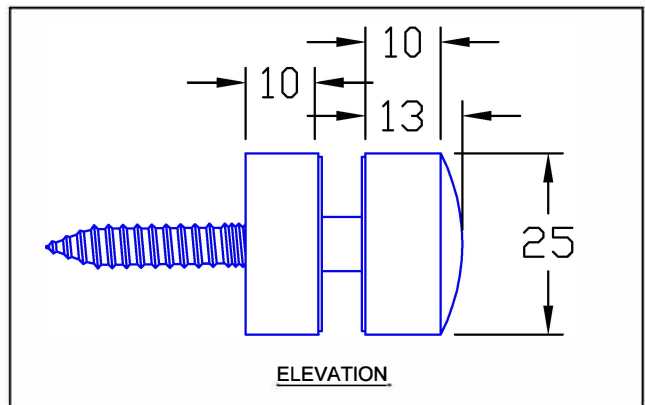
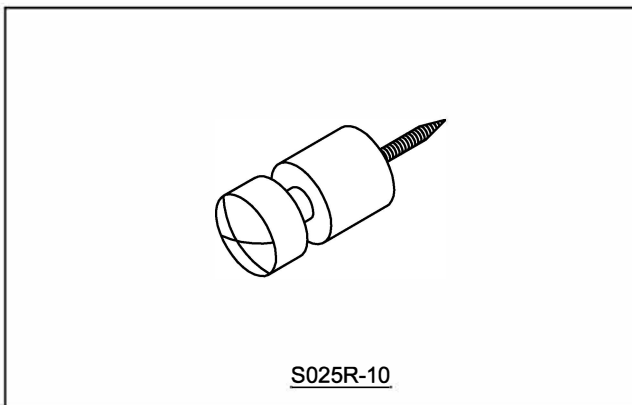
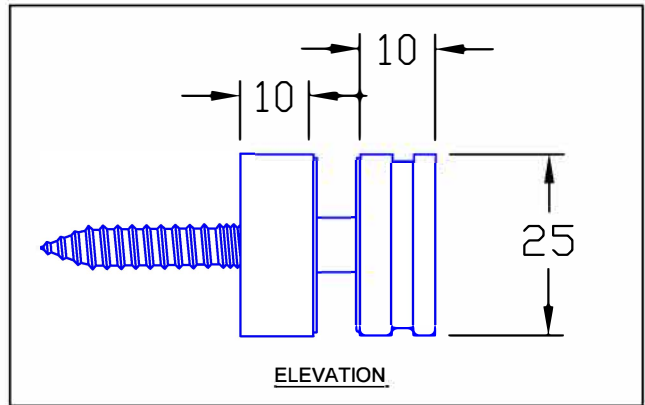
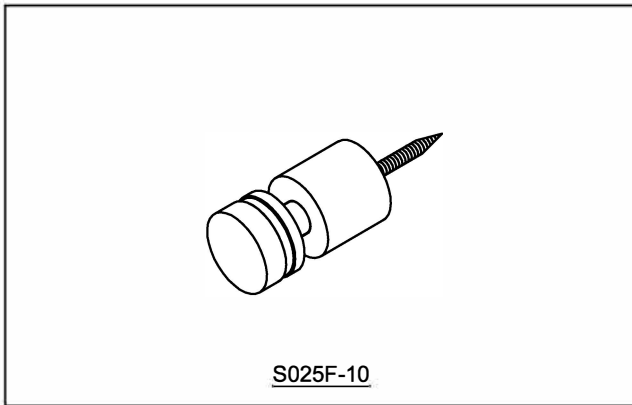


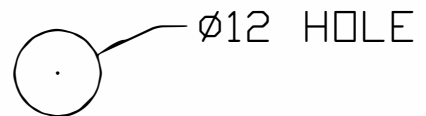
Opus Manufacturing Technical Page

SO25F-10 Standoff fitting

SO25R-10 Standoff fitting



GLASS CUT-OUT



SO25F-10 Standoff Fitting.
SO25R-10 Standoff Fitting.

Manufactured from solid brass, designed to secure frameless glass panels requiring a 25mm x 10mm standoff. Special length bodies available on request.

Securing the standoff fitting is by way of 6mm stainless steel lag screw which is included in the price.

Standard Finish: Satin Chrome or Polished Chrome.