

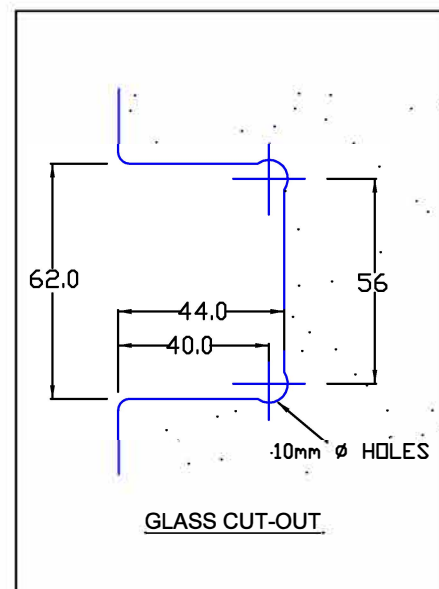
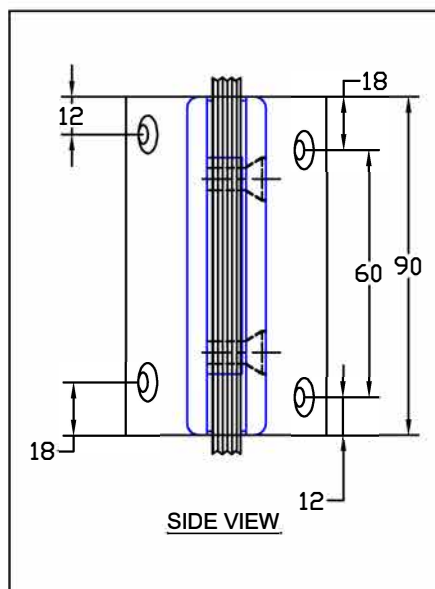
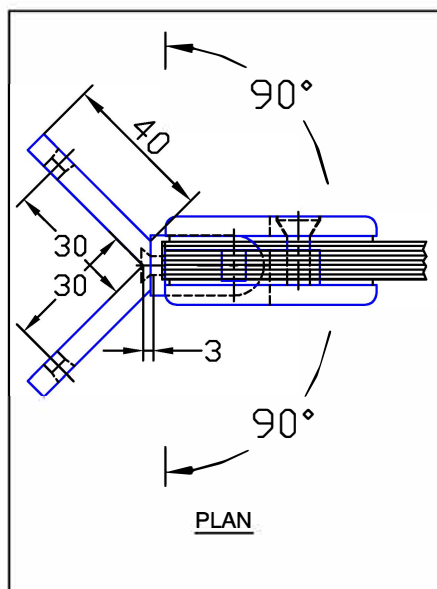
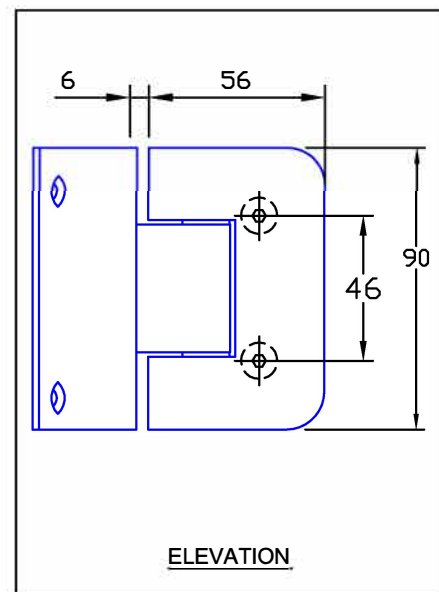
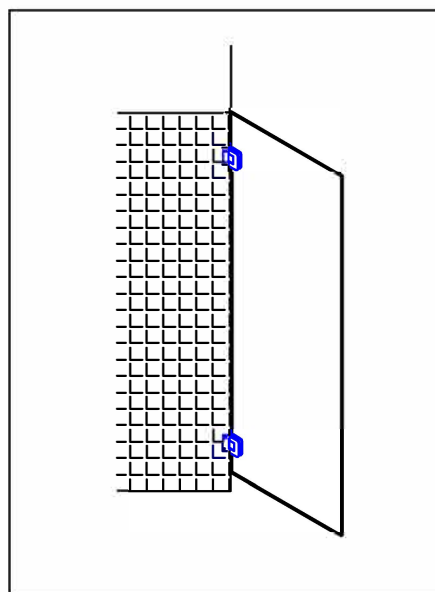
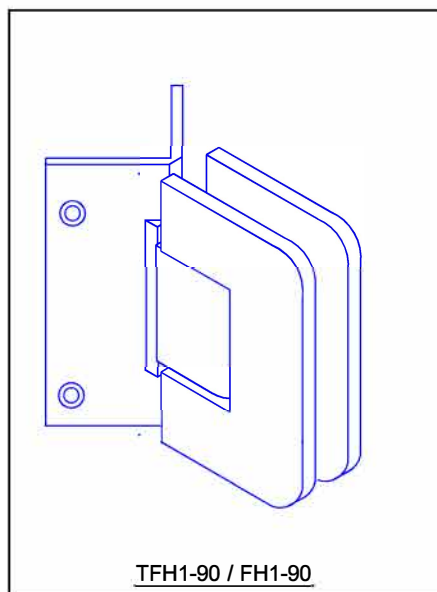
Opus Manufacturing Technical Page

TFH1-90 / FH1-90

Dual action opening 90° in both directions.

Standard specifications for 8mm and 10mm glass

but can be adapted to suit 6mm or 12mm glass on request.



TFH1-90 / FH1-90 Wall to Glass corner mounted hinge, on a 90 degree corner

Standard Finishes : Chrome; Satin Chrome; Gold.

Call: 1300 139 706 T: (03) 9775 1223 F: (03) 9775 1445 E: danmac1@bigpond.net.au

HEAD OFFICE: 99 Frankston Gardens Drive, Carrum Downs Vic 3201 Australia