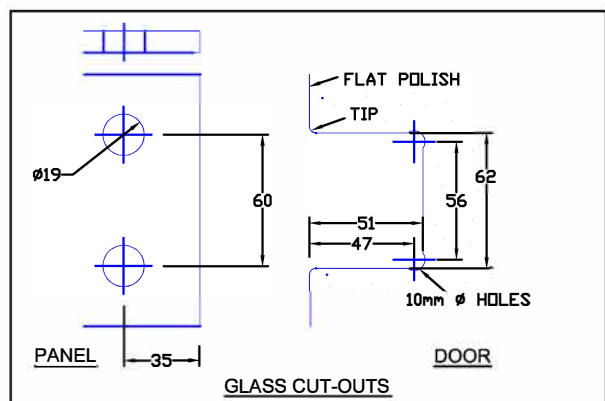
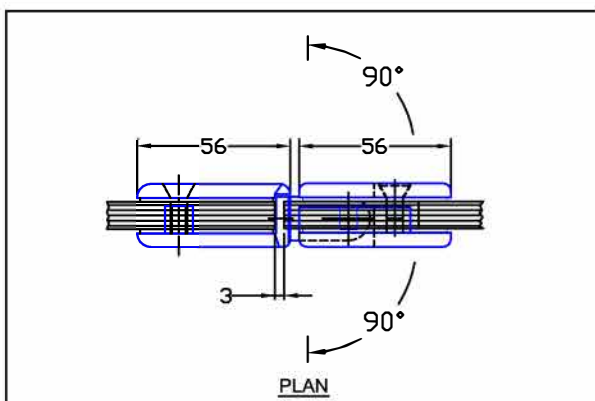
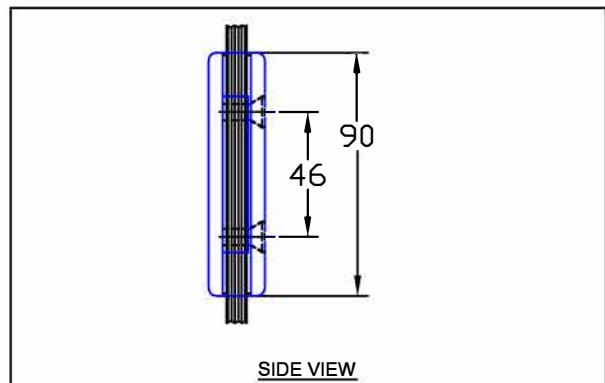
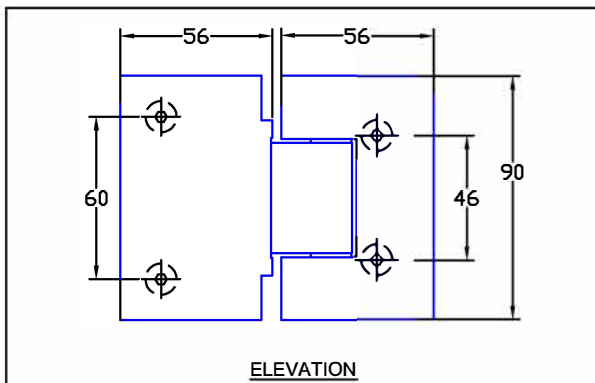
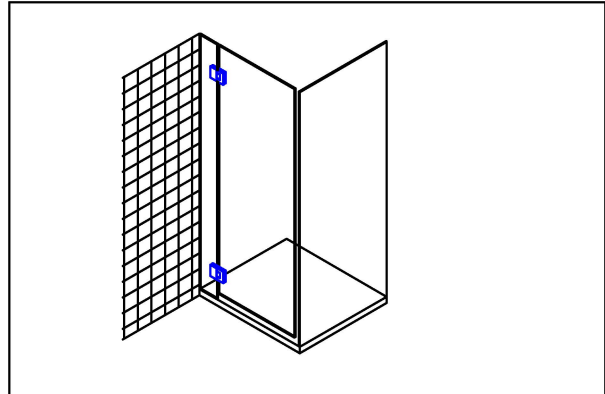
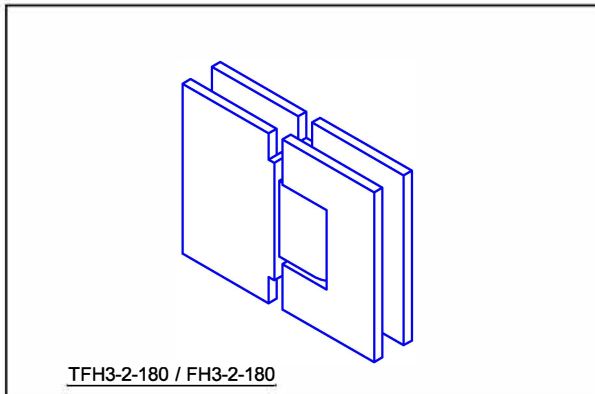


Opus Manufacturing Technical Page

TFH3-2-180 / FH3-2-180

Dual action opening 90° in both directions.
 Standard specifications for 8mm and 10mm glass
 but can be adapted to suit 6mm or 12mm glass on request.



TFH3-2-180 / FH3-2-180 Glass to glass hinge to mount a door to a fixed glass side panel that runs on a 180 degree plane. The hinge is secured to the panel with two holes in the glass instead of a cut-out. This results in a simpler and cheaper glass preparation. Additional advantages are better holding capabilities, and a cost effective hinge.

Please note: The T series has a square corner, square edge and the standard is square corner with a radius edge. Standard Finishes : Chrome; Satin Chrome; Gold.