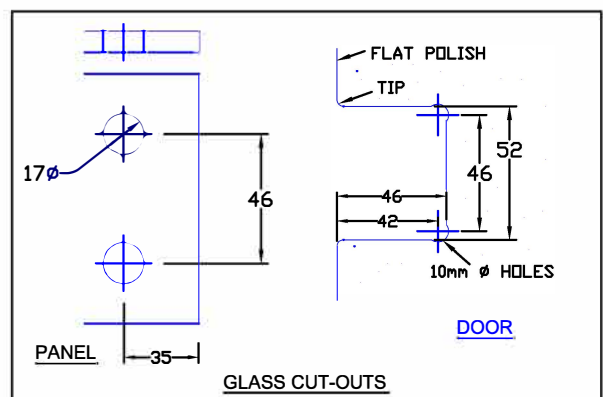
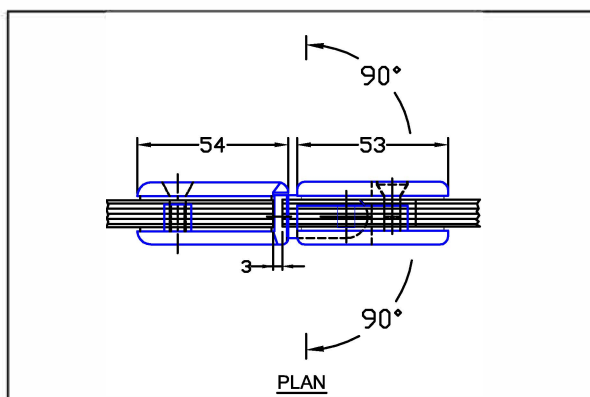
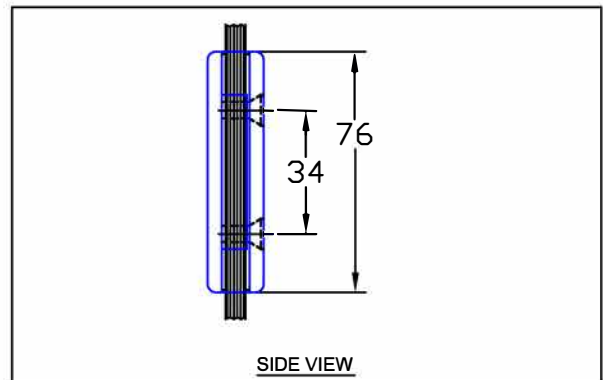
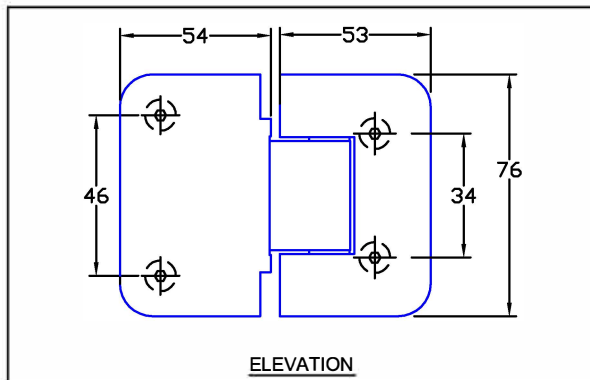
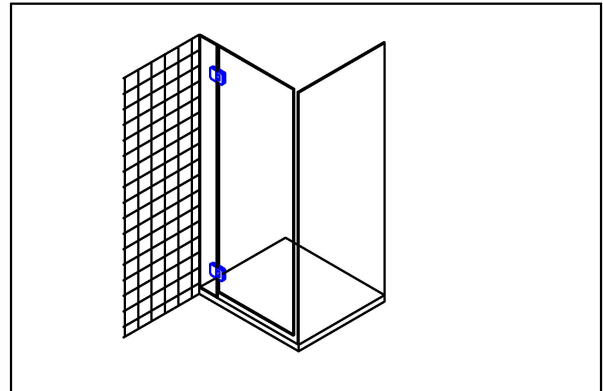
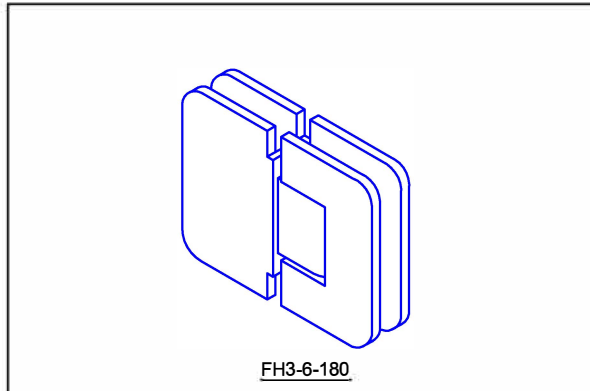


Opus Manufacturing Technical Page

FH3-6-180

Dual action opening 90° in both directions.
Standard specifications for 6mm glass



FH3-6-180 Glass to glass hinge to mount a door to a fixed glass side panel that runs on a 180 degree plane. The hinge is secured to the panel with two holes in the glass instead of a cut-out. This results in a simpler and cheaper glass preparation. Additional advantages are better holding capabilities, and a cost effective hinge.

Standard Finishes : Chrome; Satin Chrome; Gold.