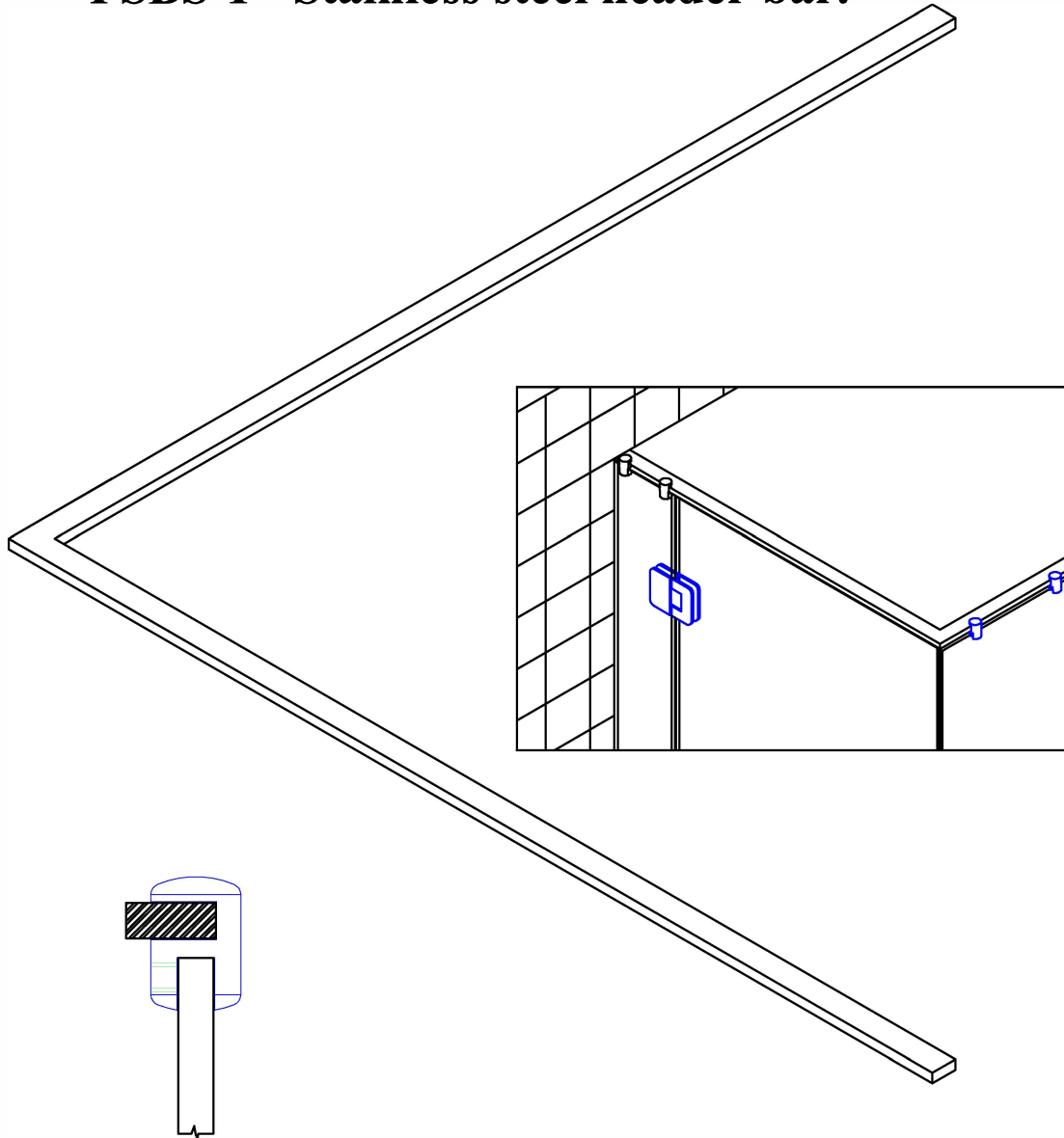




Opus Manufacturing Technical Page **FSBS-1 - Stainless steel header bar.**



TO SUIT 8MM & 10MM
SCREENS WITH 10MM
HEADER BAR

Designed to support and stabilize frameless shower screens eliminating the need for a glass header panel. This header bar provides a very clean finish to any installation and is secured to the screen and bar using Opus header Panel fitting HPFR-1.

Standard Finishes: Bright Polished, Satin.

Call: 1300 139 706 T: (03) 9775 1223 F: (03) 9775 1445 E: danmac1@bigpond.net.au
HEAD OFFICE: 99 Frankston Gardens Drive, Carrum Downs Vic 3201 Australia