

affinity

FULL OPENING DOOR SYSTEM



excellence. innovation. custom design.

affinity

FULL OPENING DOOR SYSTEMS

NUMBER 1 IN QUALITY & INNOVATION

Danmac is proud to announce the introduction of the "Affinity Full Opening Door System".

Manufactured from the highest quality brass, stainless steel pin and nylon insert.

The Affinity Full Opening Pivot inserts into the back edge of the door, ensuring a full opening door for all shower screen applications.

This unique pivot system is available in 18mm and 12mm wide pivot options.

Please note: while we take the greatest care in representing exact product colours in this brochure, they may vary slightly due to printing limitations.



OPTIONS:

- Fully Framed
- Semi-frameless
- Sill-less
- Headless
- Full Perimeter Frame
- Adjustable clearance height under the door (on request)

BENEFITS:

- Tight Shower Screen Openings
- With or without Sill
- Wheel Chair Accessibility
- Caravans and Motor Homes
- Slimline Design
- Magnetic Closure
- Will not interfere with taps
- Up to a 1000mm wide door

affinity18

FULLY FRAMED



Pictured: Sill-less Closer Panel



Full Length
Captive Magnet



With Sill



Sill-less

affinity18

SEMI-FRAMELESS SILL-LESS



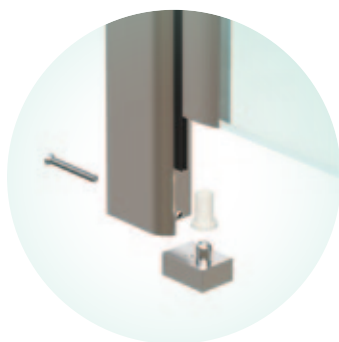
Pictured: Sill-less Full Door and Return

Handle Options:

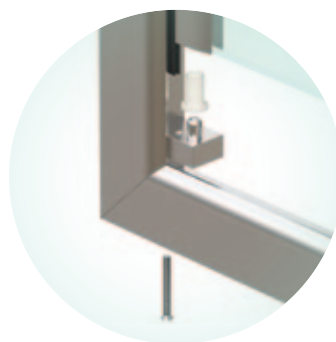
TS25x13-250 (pictured above) is available in Polished Chrome, Brushed Satin and Black.

RK25-3 Double Pull knob Supplied standard with all screens.

Refer to danmac website for more handle options.



Sill-less



With Sill



Magnetic Door Stop

affinity12

FULLY FRAMED SILL-LESS



Pictured: Sill-less Corner Entry



A unique 12mm concealed pivot,
inserts into a two part extrusion.

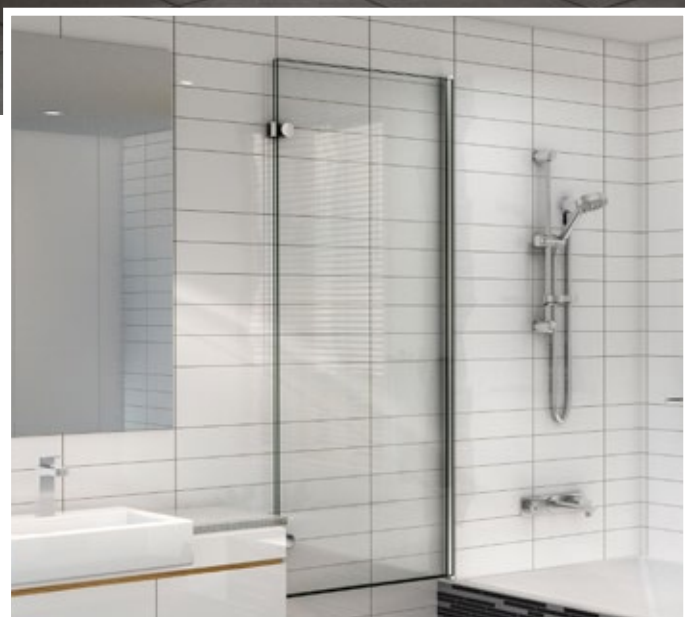
*Also available with a framed sill.

affinity12

SEMI-FRAMELESS MULTI-FOLD BATH SCREEN



Pictured: Multi-fold bath screen



Folds flat against the wall in both directions

Available in:

- Semi-frameless
- Fully Framed
- Multi-fold
- Single Swing



affinity12 colours



affinity18 colours



SHOWER SCREEN TYPE	AFFINITY 12	AFFINITY 18
Full Framed		
Full Door		•
Pivot Panel	•	•
Closer Panel		•
Pivot & Closer Panel	•	•
Double Door		•
Double Door with Pivot Panel	•	•
Corner Entry		•
Corner Entry Pivot Panel	•	•
Semi Frameless		
Full Door		•
Closer Panel		•
Double Door (Full Door Only)		•
Corner Entry (Full Door Only)		•
Bath Screens Semi Frameless / Framed		
Single Swing	•	•
Multi Fold	•	•





excellence. innovation. custom design.

We custom design everything to ensure your exact specifications are met. We supply only the finest quality fittings and hardware in the market (including Opus frameless hardware).

Our innovative flair for developing revolutionary, new products is unsurpassed in Australia. That's why Danmac is Australia's most trusted and committed shower screen manufacturer.

Our Product Range includes:

- Fully Framed Shower Screens
- Semi-frameless Shower Screens
- Frameless Shower Screens
- Bath Screens
- Wardrobes
- Windows & Doors

We pride ourselves in providing the very best in customer service and quality, through our fabrication and supply of custom-built products to suit any personal requirement, style or area.

Your Local Distributor:

affinity

To order or for more information call:

1300 139 706

99 Frankston Gardens Drive,
Carrum Downs Vic 3201
Tel: (03) 9775 1223
Fax: (03) 9775 1445

visit: danmac.com.au

ALSPEC BRANCHES
Newcastle • Sydney • Brisbane
Townsville • Cairns
Darwin • Western Australia



excellence. innovation. custom design.