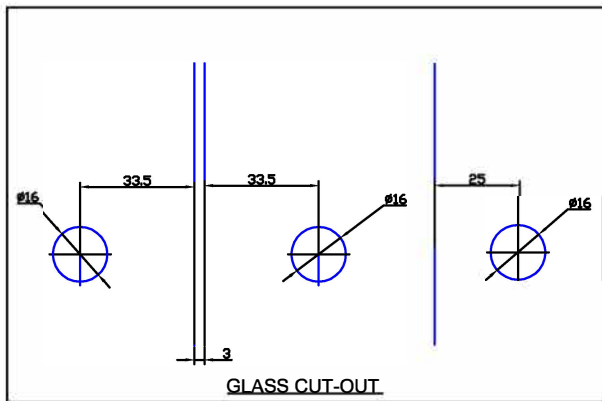
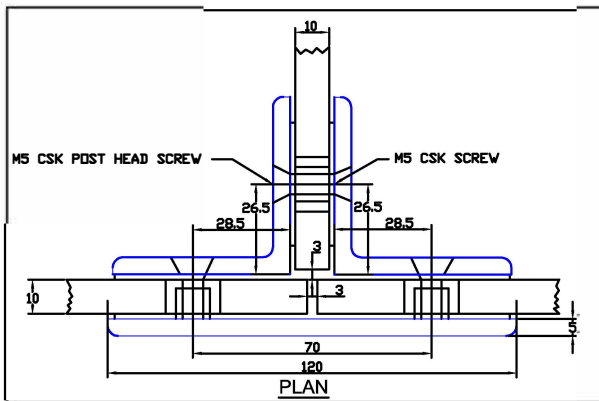
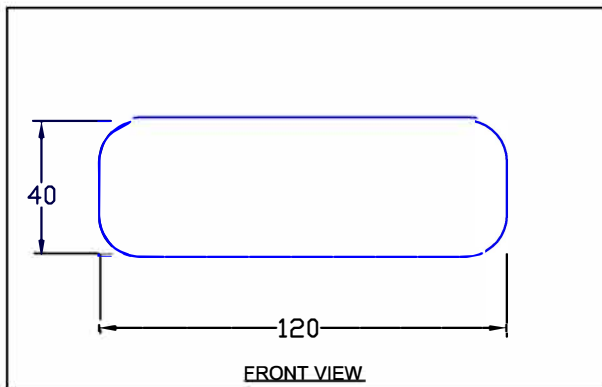
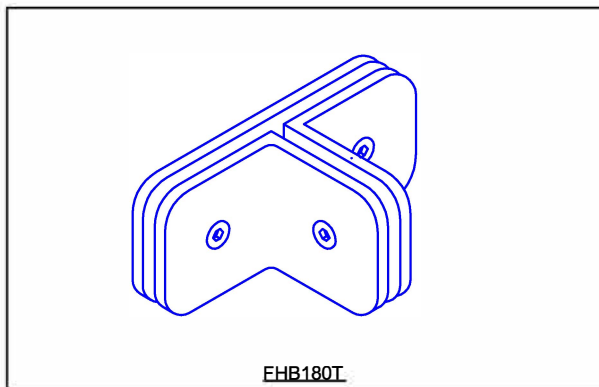


Opus Manufacturing Technical Page

FHB180T

Standard specifications for 10mm or glass
 Can be adapted to suit 6mm, 8mm & 12mm glass on request by replacing the post head screws with stainless steel studs and dome nuts.



FHB180T Bracket/Clamp. Manufactured in solid brass designed to secure a glass division screen running at 90 degree to the front shower enclosure panels.

Overall lengths FHB180T has an overall length of 120mm

Standard Finishes: Chrome, Satin Chrome, Gold.