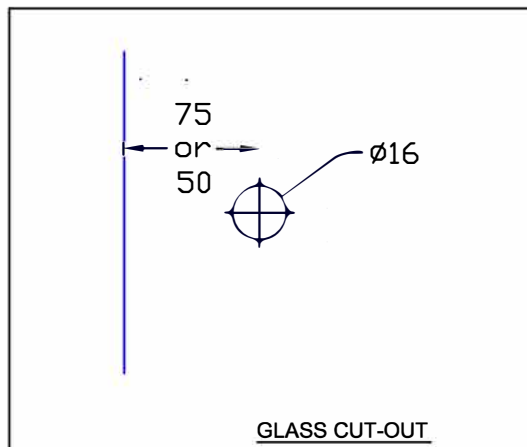
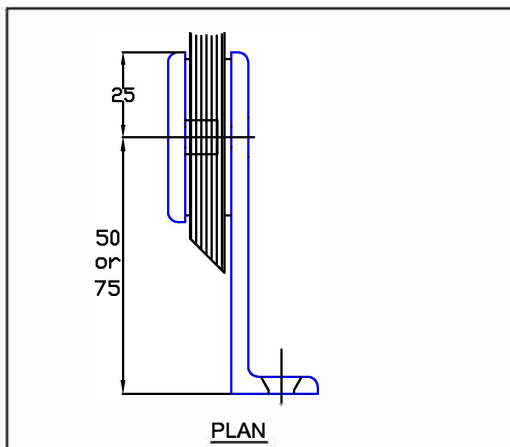
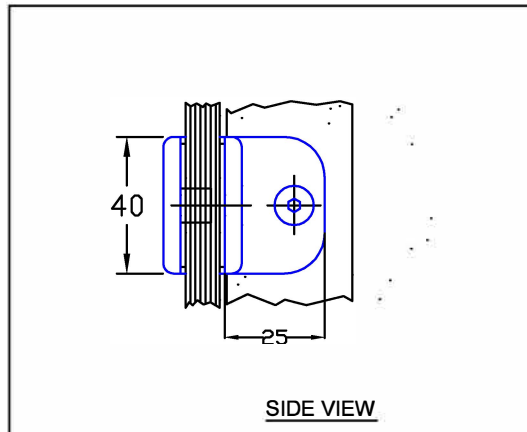
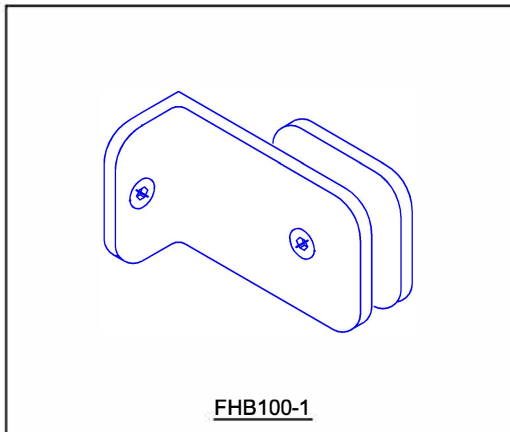
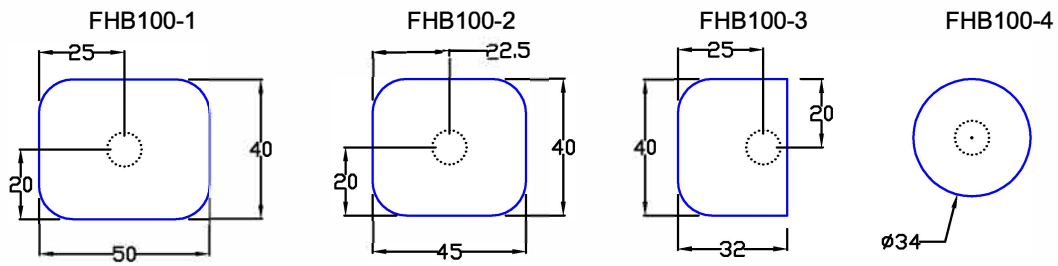


Opus Manufacturing Technical Page

FHB075 & FHB100



FHB100 Bracket/Clamp Wall to Glass. Manufactured in solid brass, and designed to secure 90 degree wall to glass shower enclosure panels to the wall or floor. FHB100-1,2,3,4 indicates backplate option as shown above.

Standard Finishes: Chrome, Satin Chrome Gold

Call: 1300 139 706 T: (03) 9775 1223 F: (03) 9775 1445 E: danmac1@bigpond.net.au
 HEAD OFFICE: 99 Frankston Gardens Drive, Carrum Downs Vic 3201 Australia