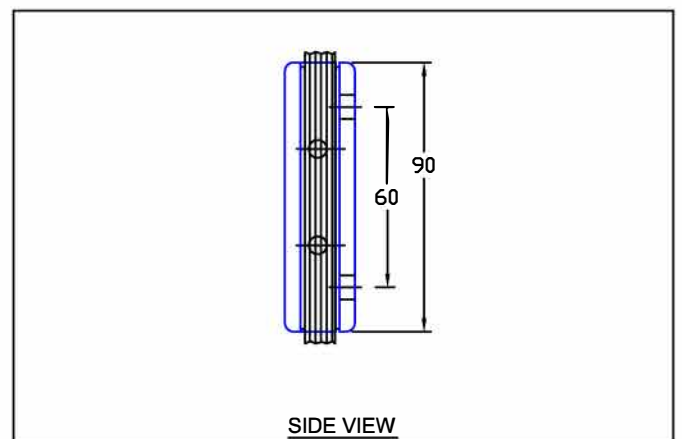
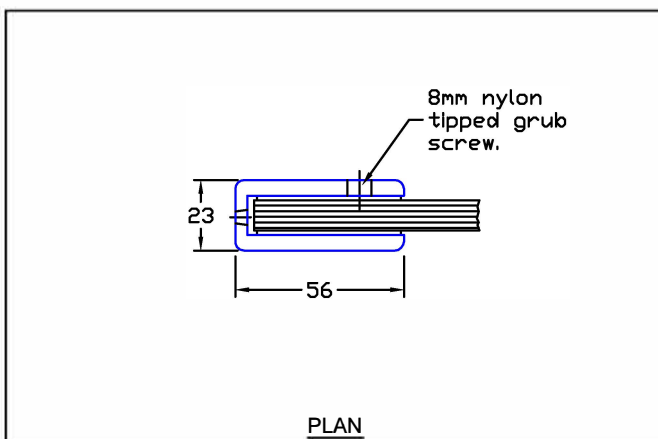
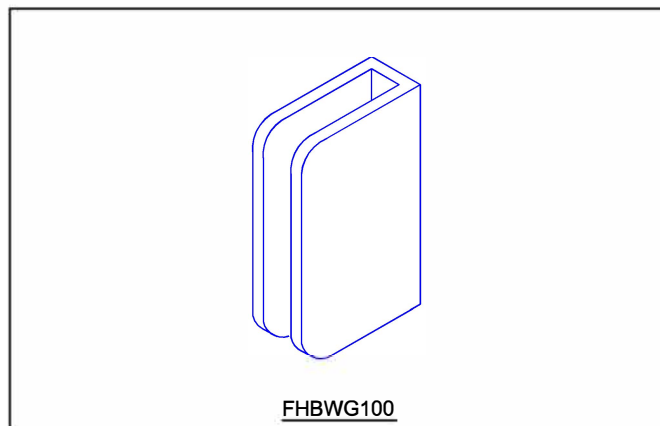


Opus Manufacturing Technical Page

FHBWG100



FHBWG100 Bracket/Clamp Wall to Glass. Manufactured in solid brass and designed to secure shower enclosure glass panels to the wall or floor. The bracket is secured to the glass by two nylon tipped grub screws. It is important to note that the FHBWG100 should be installed as a stabilizing bracket only and not in a weight bearing situation where the the glass can move as there is no mechanical fixing.

Standard Finishes: Chrome, Satin Chrome, Gold