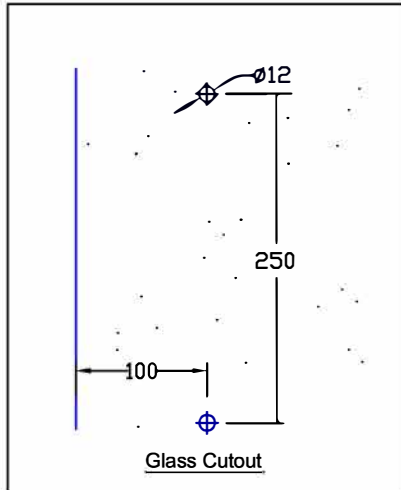
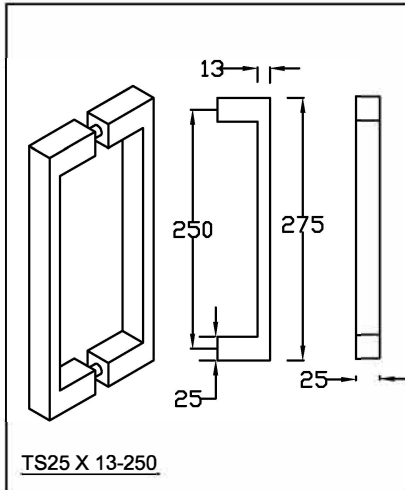


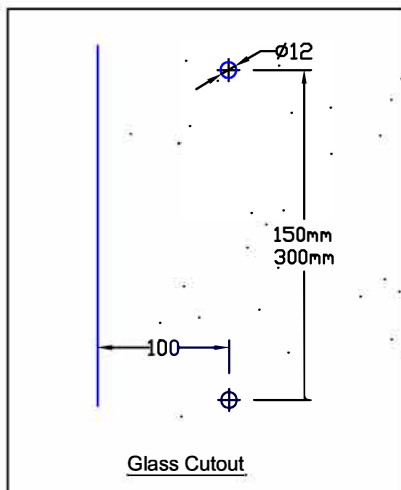
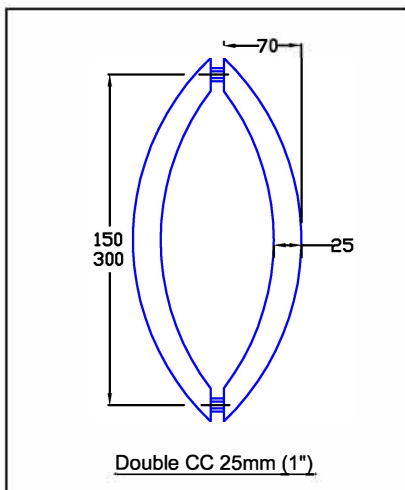
Opus Manufacturing Technical Page

CC25-300, CC25-150, SS25-250 & TS25



TS25 HANDLE
 A set consists of one TS25 handle for each side of the glass door.

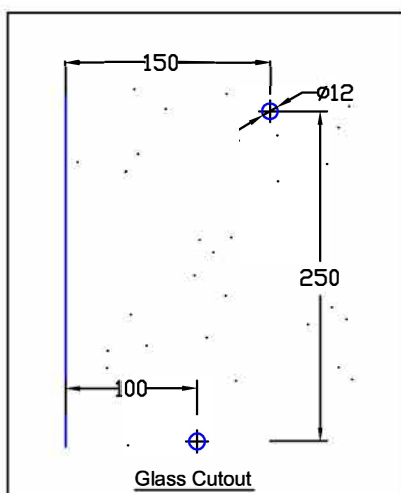
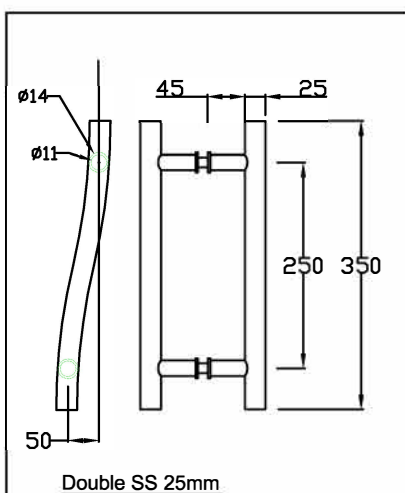
Code: TS25 x 13 - 250



Double C Handles 25mm

A set consists of one C handle for each side of the glass door.
 32mm washers available, in the same, or contrast finish.

Codes: CC25-150
 CC25-300



Double S Handles 25mm

A set consists of one S handle for each side of the glass door.

Codes: SS25-350

CC25 and SS25 Handles are constructed of 25mm stainless steel tubing. Plastic gaskets and spacers are included to protect against glass-to-metal contact.
 Standard Finishes: Polished Stainless, Satin Stainless.