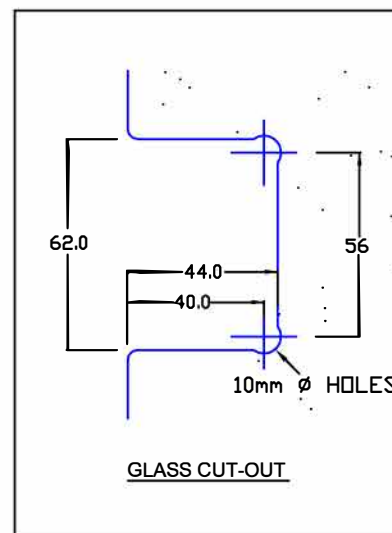
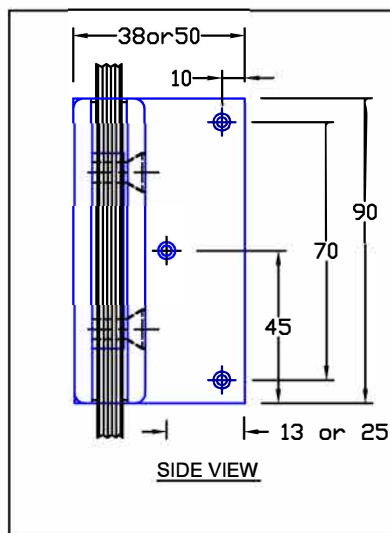
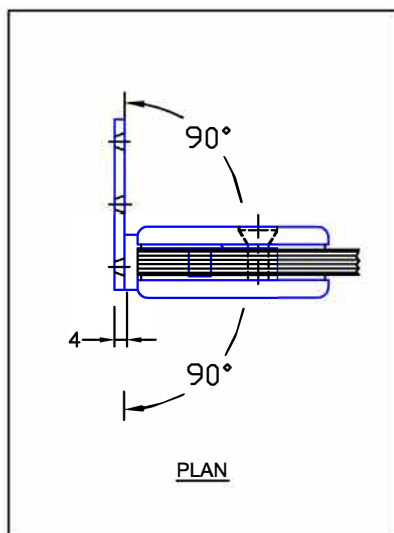
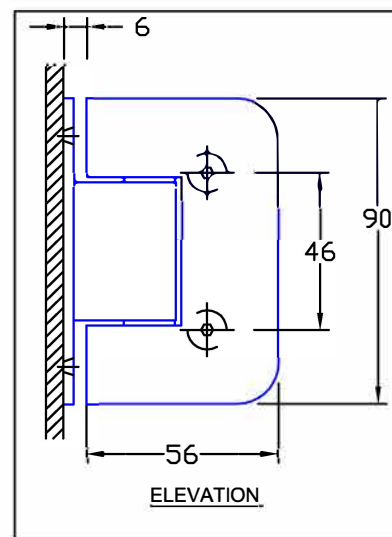
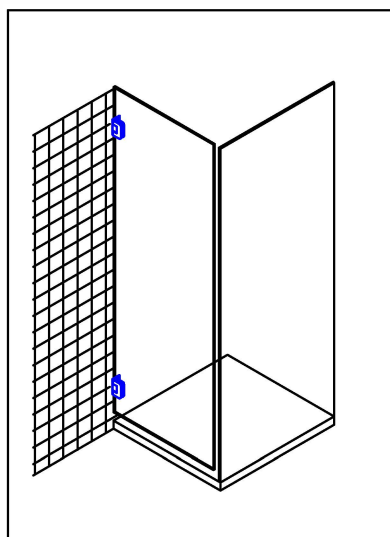
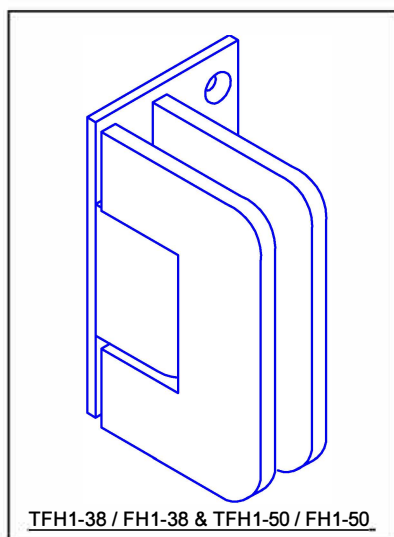


Opus Manufacturing Technical Page

TFH1-38 / FH1-38 and TFH1-50 / FH1-50

Dual action opening 90° in both directions.
 Standard specifications for 8mm and 10mm glass
 but can be adapted to suit 6mm or 12mm glass on request.



TFH1-38 / FH1-38 and TFH1-50 / FH1-50 Wall to Glass side mounted hinge, with two back plate options. 38mm and 50mm.

Standard Finish: Chrome; Satin Chrome; Gold

Call: 1300 139 706 T: (03) 9775 1223 F: (03) 9775 1445 E: danmac1@bigpond.net.au
 HEAD OFFICE: 99 Frankston Gardens Drive, Carrum Downs Vic 3201 Australia