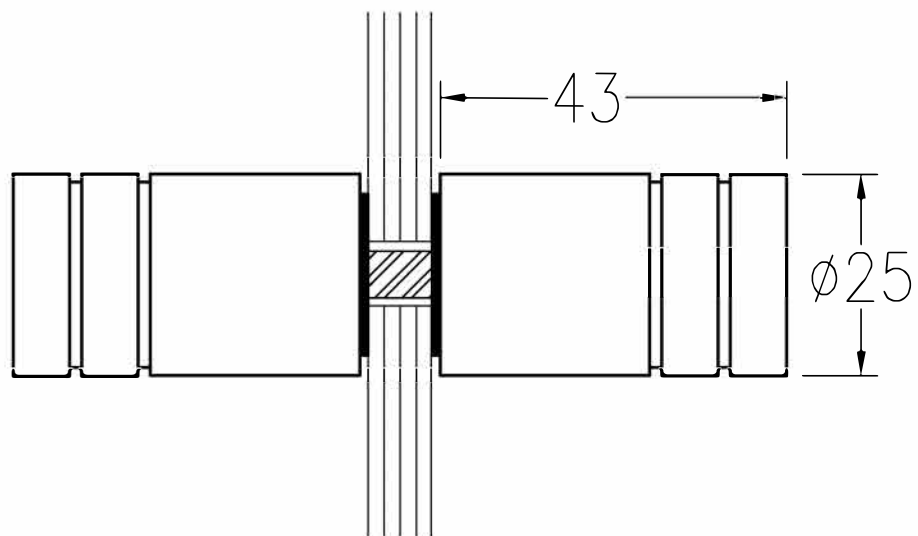


RK25-3
DOUBLE PULL KNOB



Drill 1 x 10mm ϕ hole,
60mm in from the edge, COH

