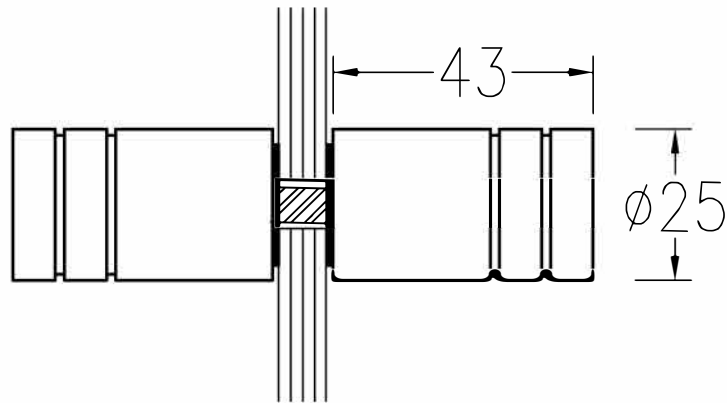
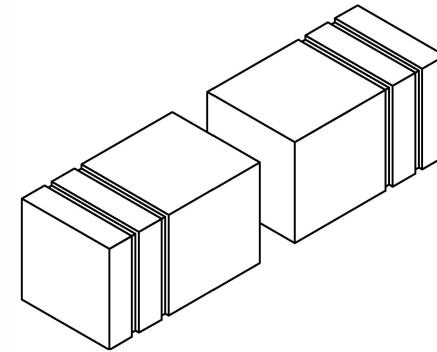




SK25 SQUARE FACE DOUBLE PULL KNOB SET



**Drill 1 x 10mm ϕ hole,
60mm in from the edge, COH**

